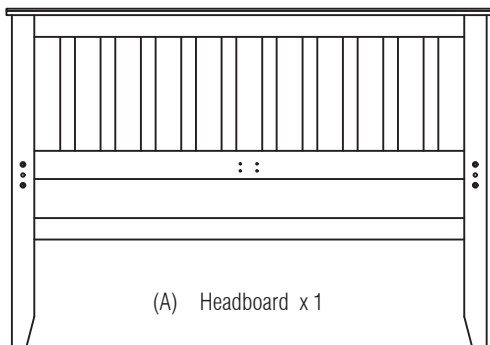
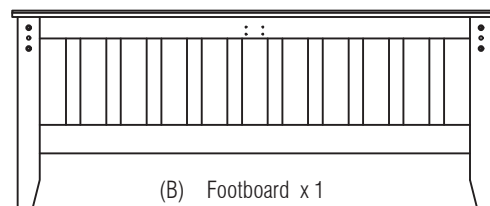


# Assembly Instructions Malvern Storage Bed

## Part in Box 1

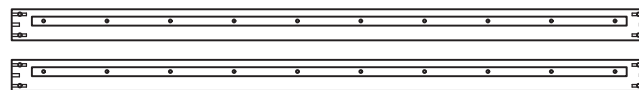


(A) Headboard x 1

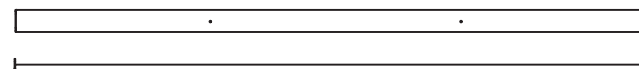


(B) Footboard x 1

## Part in Box 2

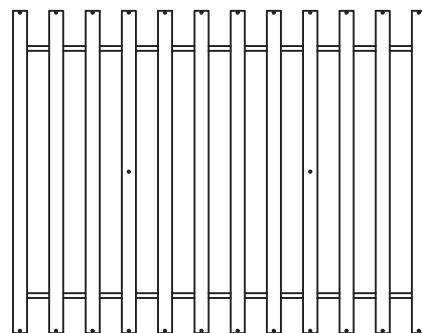


(C) Side Rail x 2

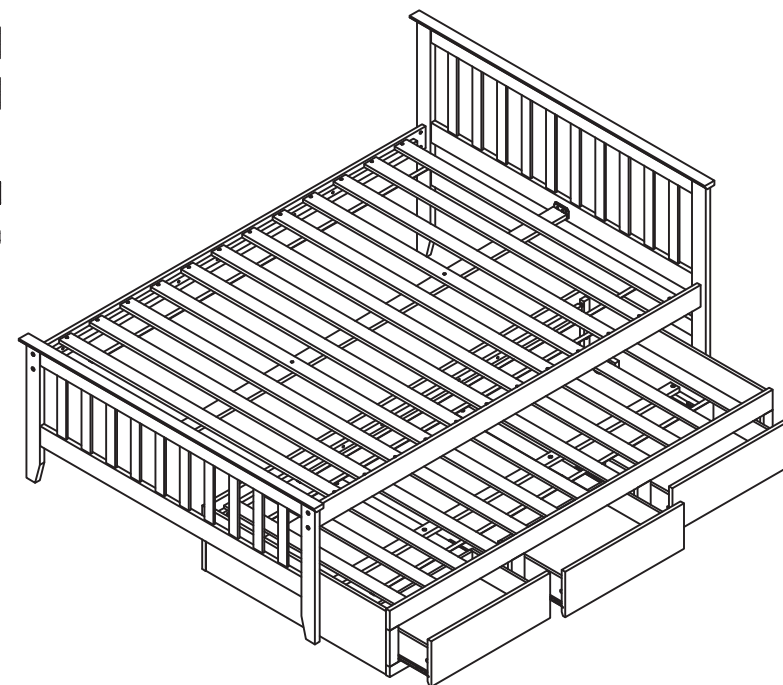


(D) Center Rail x 1

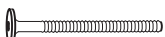

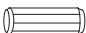

## Part in Box 4

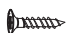

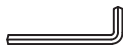


(E) Set of Slats x 1



## Hardware List

1.	JCBC M6 x 70mm		x 8
2.	M6 x 15mm Barrel Nut		x 8
3.	Wood Dowel M10 x 30mm		x 4
4.	Center Rail Bracket		x 2

5.	CSK M4 x 16mm		x 8
6.	CSK M4 x 25mm		x 26
7.	M4 Allen Key		x 1

Tool required for assembly :

- \* Allen Key ( supplied )
- \* Phillips Screwdriver  
( not supplied )

## **ASSEMBLY TIPS**

Remove hardware from box and sort by size to check that all hardware and parts are present before assembling. Follow instructions below in the proper sequence to ensure fast, easy and correct assembly.



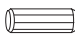
## **⚠ WARNING !!**

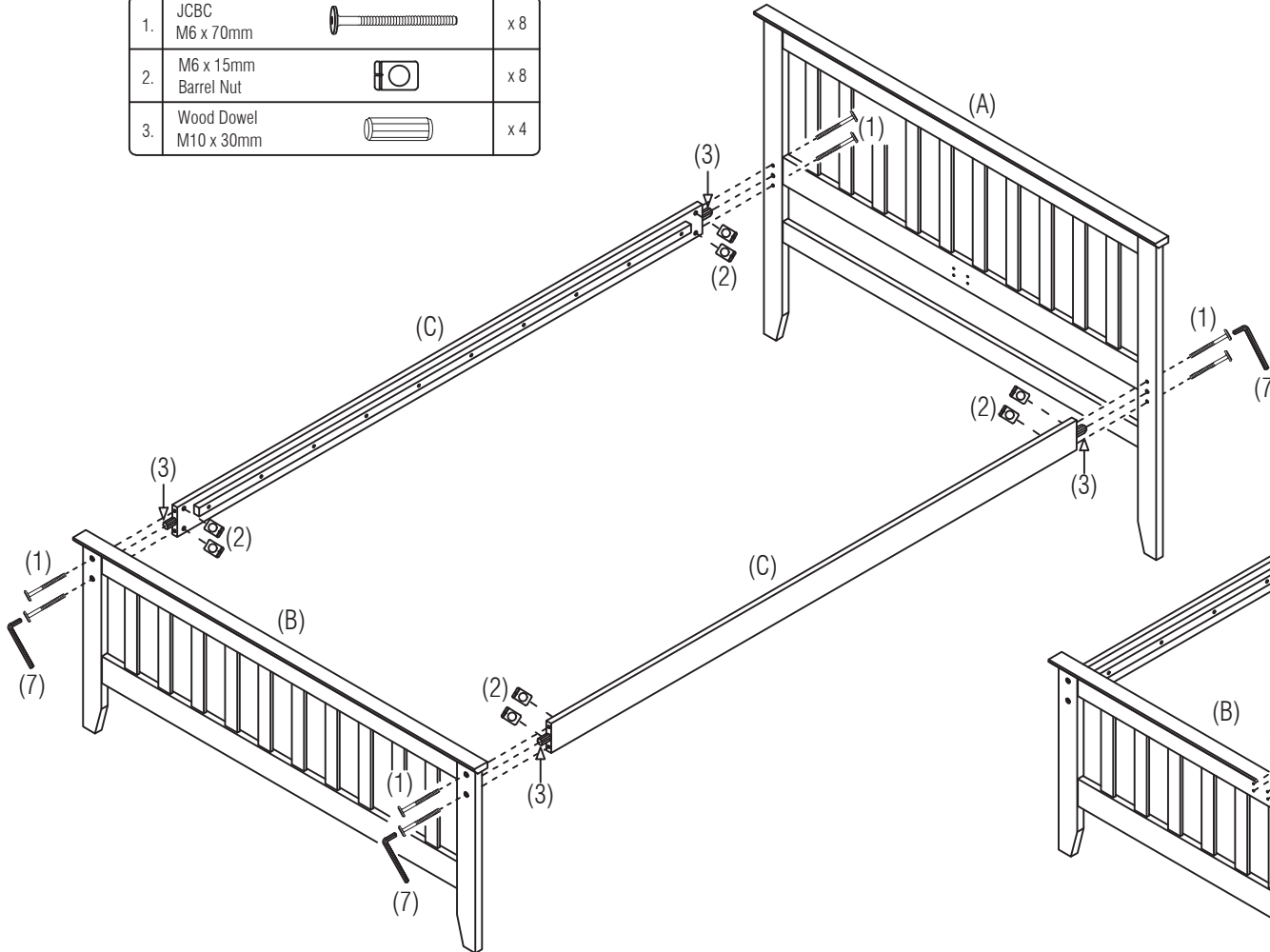
DO NOT FULLY TIGHTEN ALL BOLTS UNTIL ALL PARTS ARE IN PLACE. FAILURE TO FOLLOW THIS INSTRUCTION MAY CAUSE THE BOLTS TO BE MISALIGNED DURING THE ASSEMBLY.

# Assembly Instructions Malvern Storage Bed

1


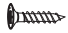
Attach the Side Rail (C) to the Headboard (A) & Footboard (B).

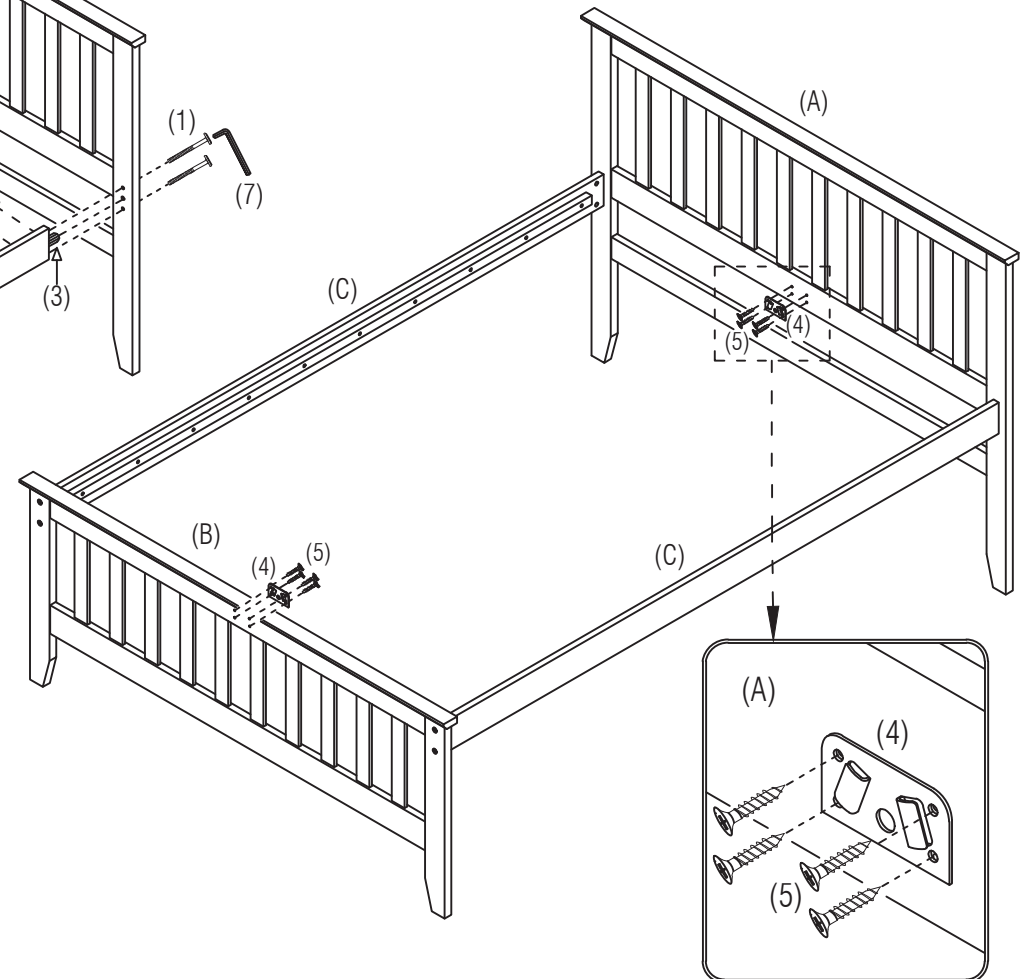
1.	JCBC M6 x 70mm		x 8
2.	M6 x 15mm Barrel Nut		x 8
3.	Wood Dowel M10 x 30mm		x 4



2

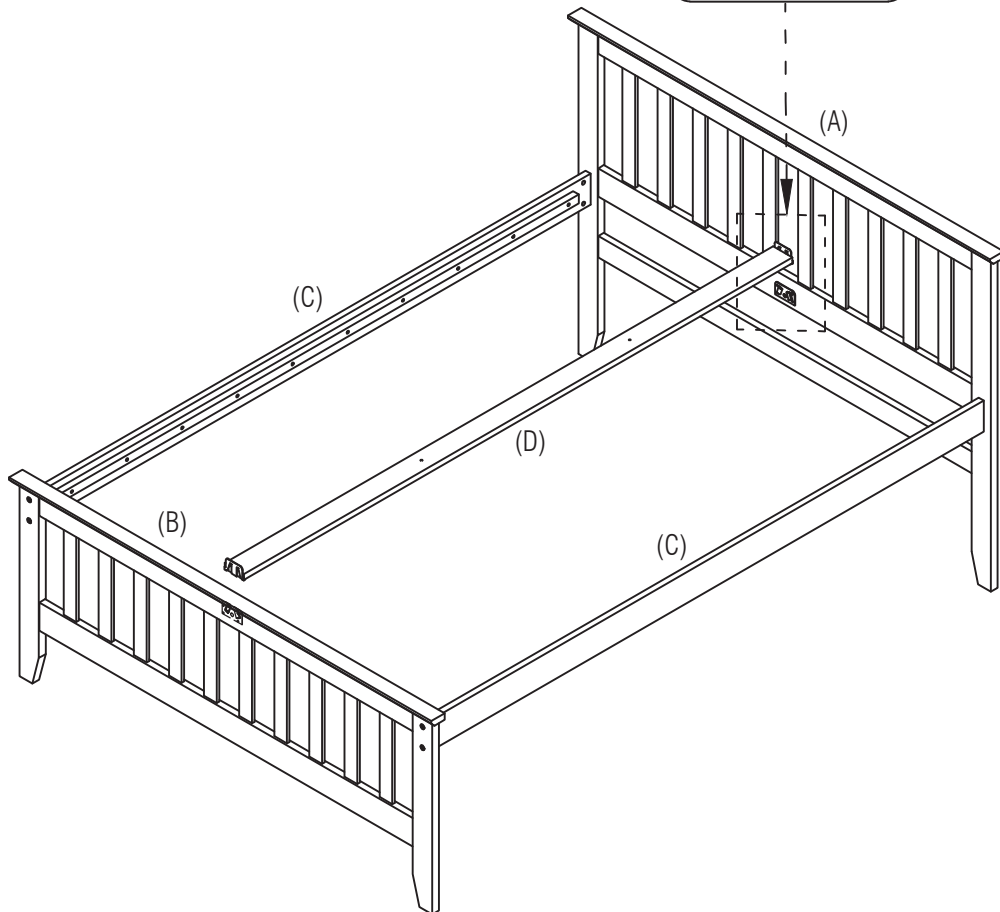
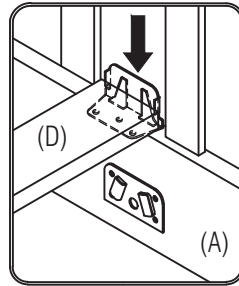
Attach the Center Rail Bracket to the Headboard (A) & Footboard (B).

4.	Center Rail Bracket		x 2
5.	CSK Screw M4 x 16mm		x 8



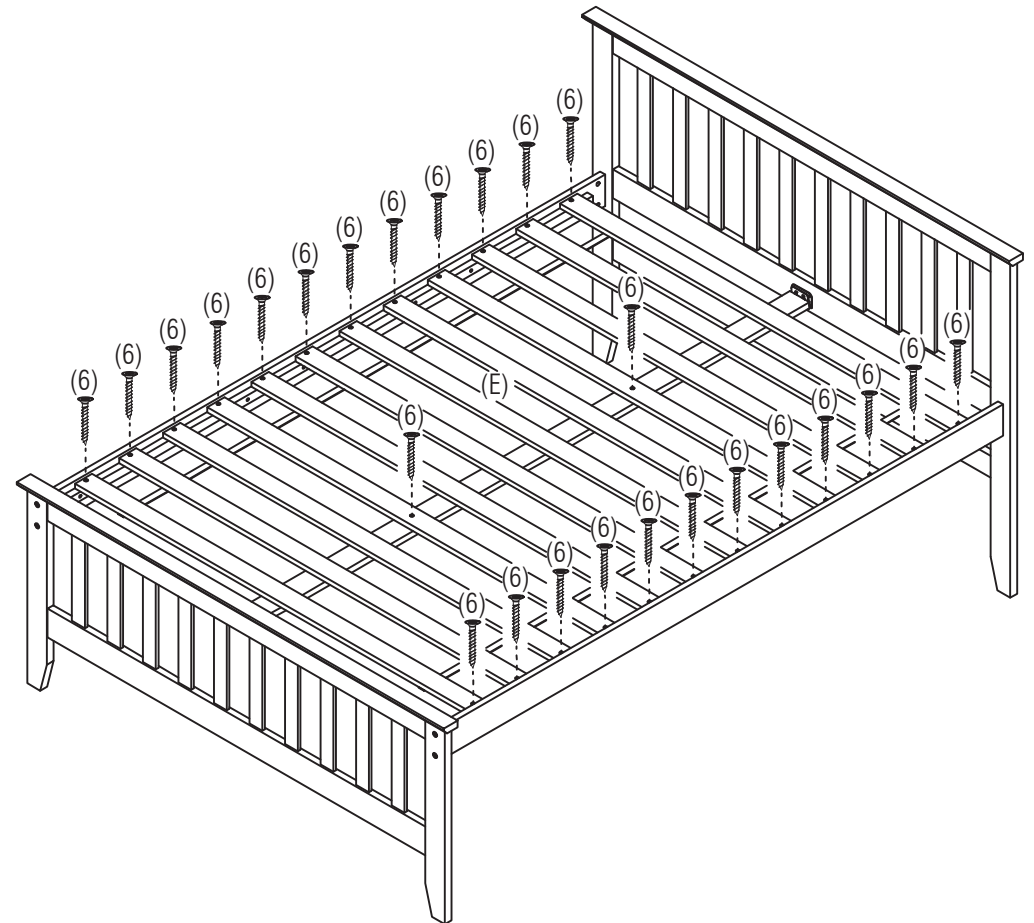
# Assembly Instructions Malvern Storage Bed

3 Attach the Center Rail (D).



4 Assemble the Slats (E) to the Bed Frame.

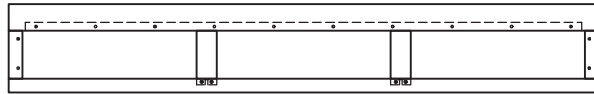
6.	CSK Screw M4 x 25mm		x 26
----	------------------------	---	------



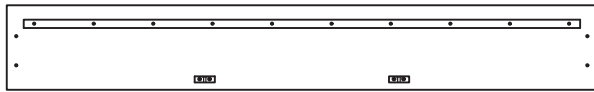
# Assembly Instructions Malvern Storage Bed

1/5

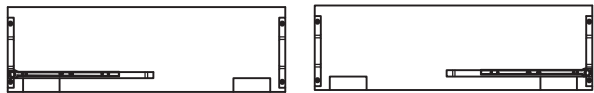
## Part in Box 3



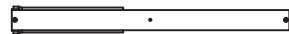
(F) Front Panel x 1



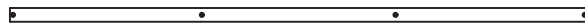
(G) Back Panel x 1



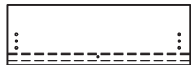
(H) Side Panel x 2



(I) Bottom Support Center x 2



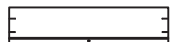
(J) Center Support x 1



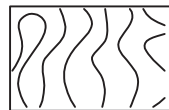
(K) Drawer Front Panel x 3



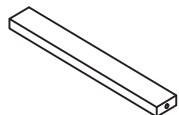
(L) Drawer Side Panel x 6



(M) Drawer Back Panel x 3

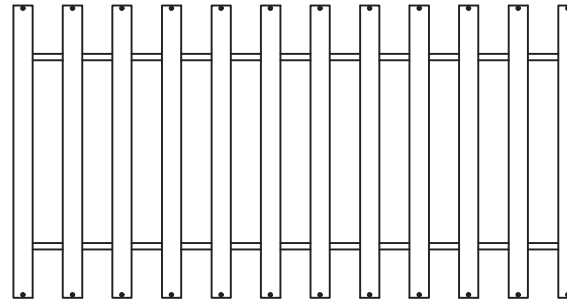


(N) Drawer Bottom Panel x 3

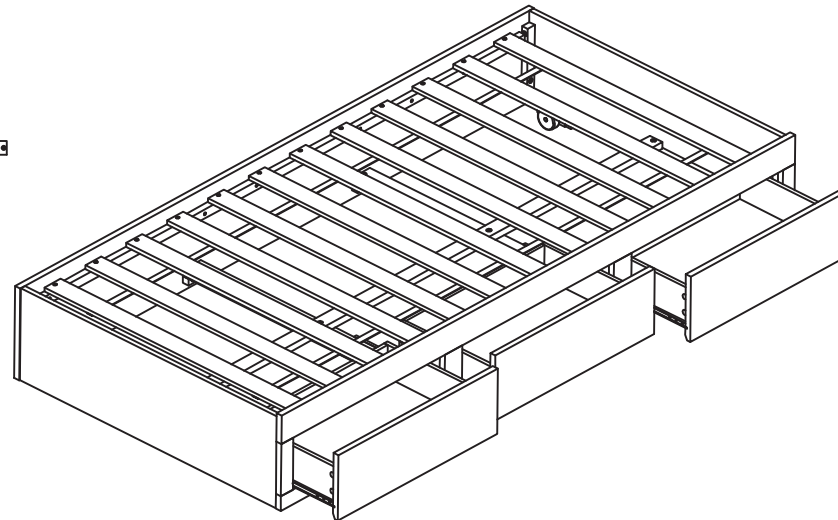


(O) Drawer Support x 3


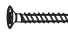



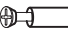

## Part in Box 4



(P) Set of Slats x 1



## Hardware List

1.	Caster		x 4
2.	CSK M3.5 x 16mm		x 22
3.	JCBC M6 x 35mm		x 16
4.	CSK M4 x 25mm		x 36
5.	Minifix Housing (Short)		x 18
6.	Connecting Bolt		x 18
7.	M4 Allen Key		x 1

Tool required for assembly :

- \* Allen Key ( supplied )
- \* Phillips Screwdriver  
( not supplied )

## ASSEMBLY TIPS

Remove hardware from box and sort by size to check that all hardware and parts are present before assembling. Follow instructions below in the proper sequence to ensure fast, easy and correct assembly.



### **WARNING !!**

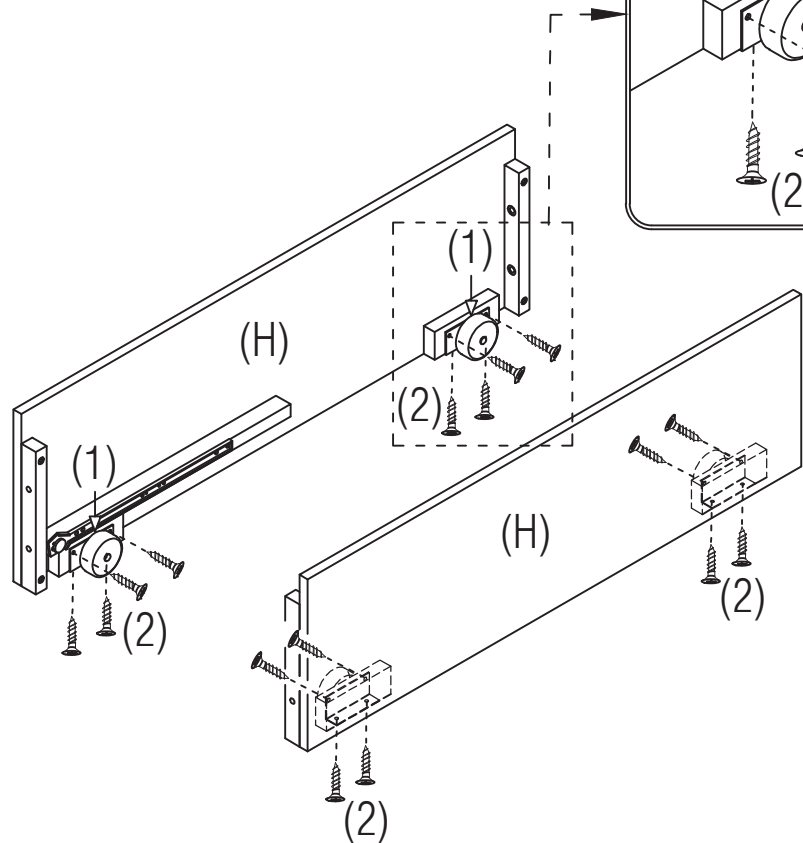
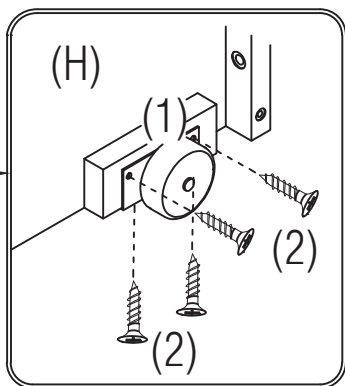
DO NOT FULLY TIGHTEN ALL BOLTS UNTIL ALL PARTS ARE IN PLACE. FAILURE TO FOLLOW THIS INSTRUCTION MAY CAUSE THE BOLTS TO BE MISALIGNED DURING THE ASSEMBLY.

# Assembly Instructions


## Malvern Storage Bed

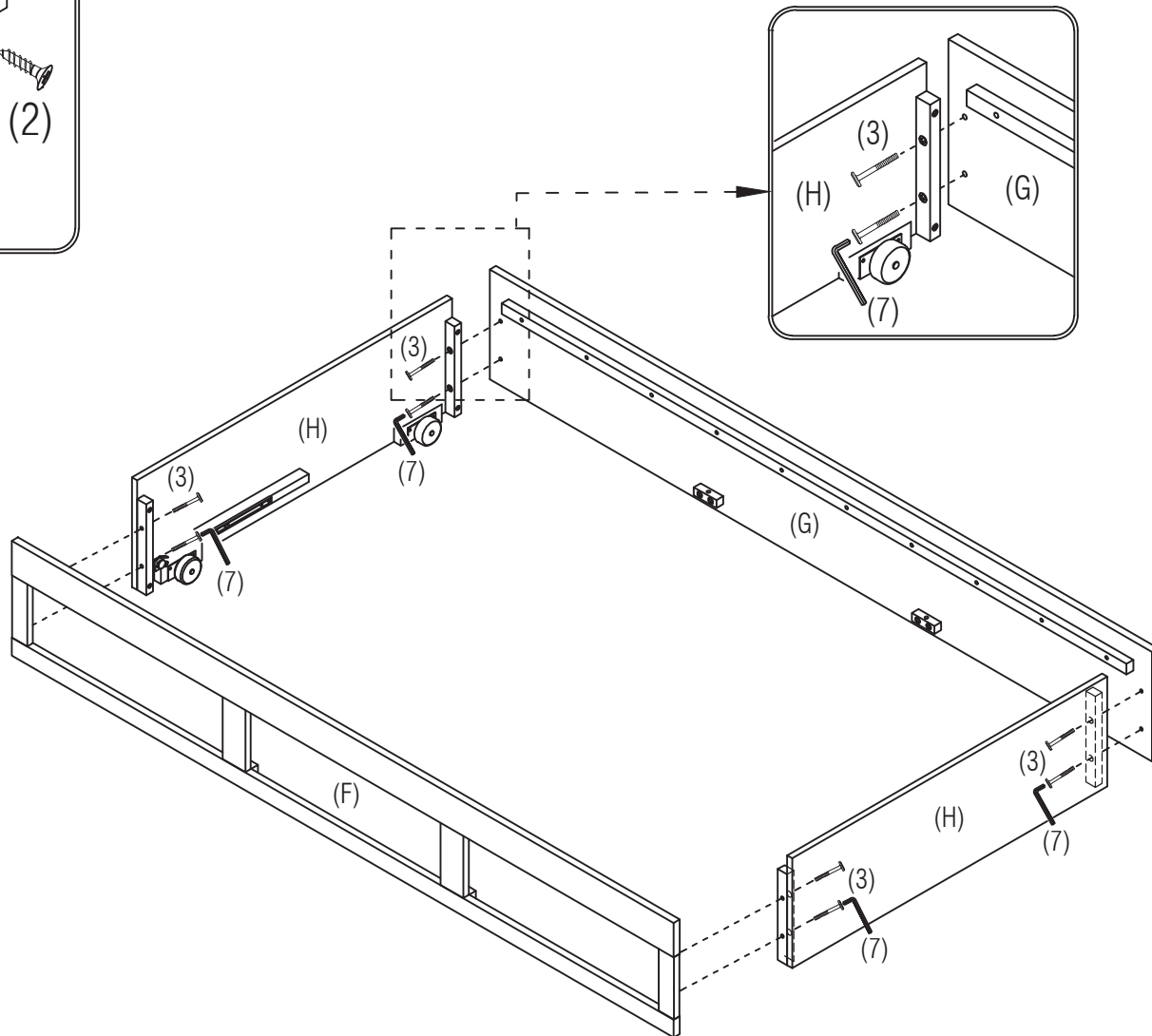
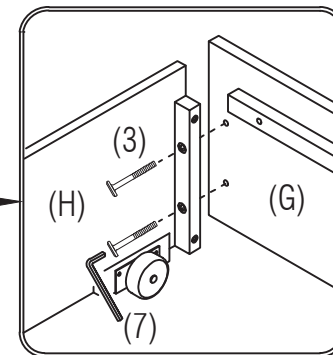
**1** Fit the Caster to the Side Panel (H).

1.	Caster		x 4
2.	Csk M3.5 x 16mm		x 16



**2** Attached the Side Panels to the Front Panel (F) and Back Panel (G).

3.	JCBC M6 x 35mm		x 8
----	-------------------	---	-----

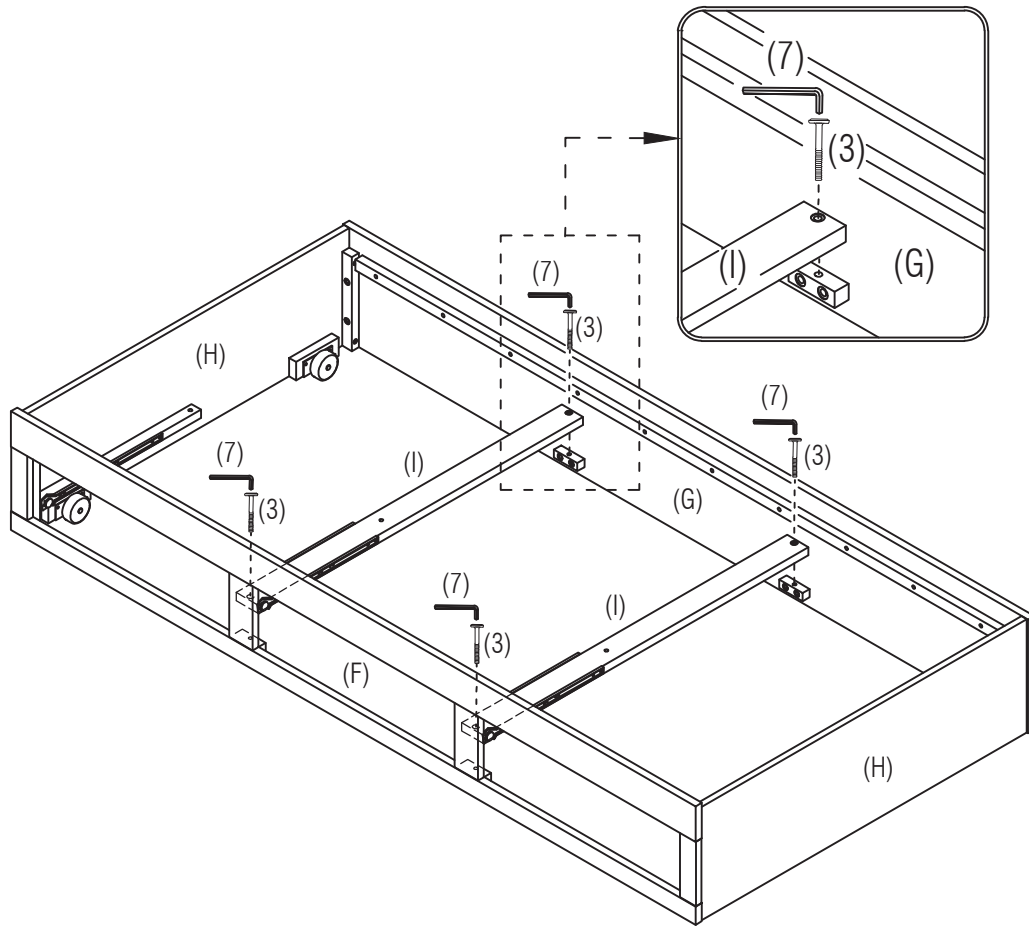


# Assembly Instructions

## Malvern Storage Bed

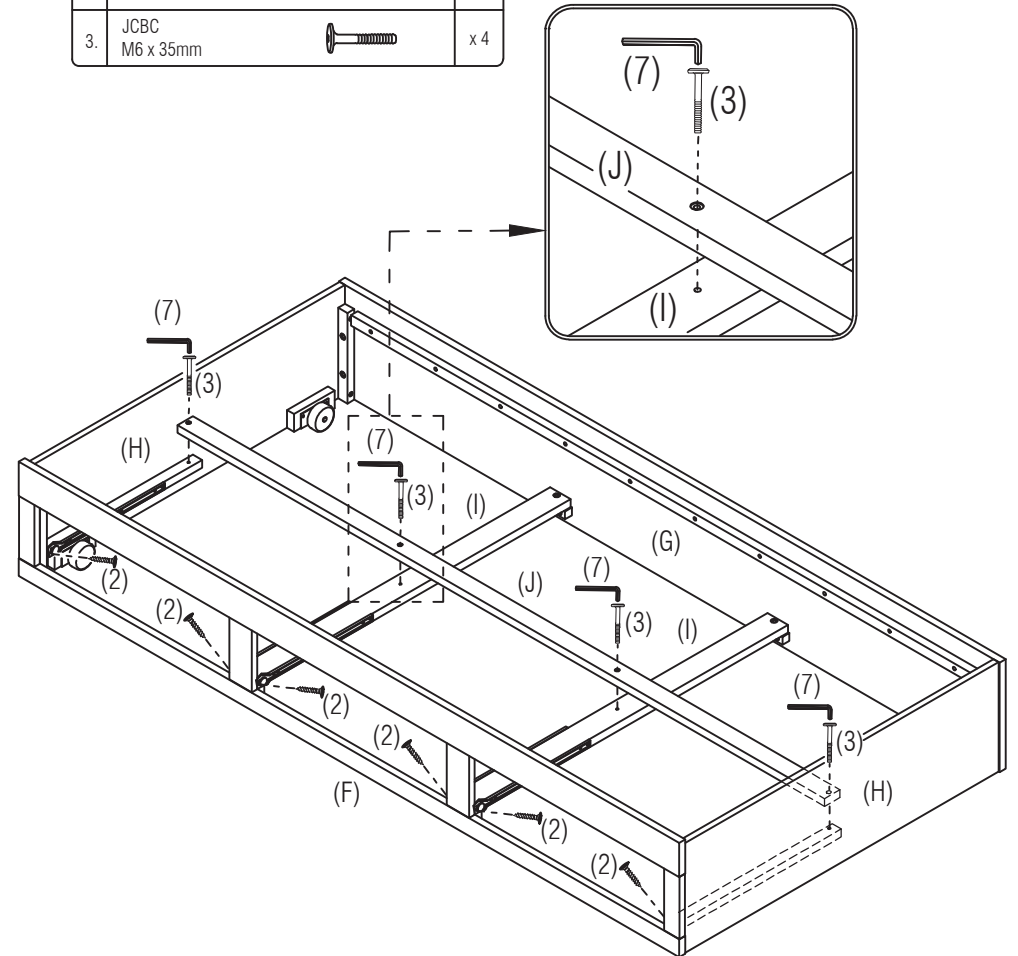
**3** Attached the Bottom Support Center (I) to the Front Panel (F) and Back Panel (G).

3.	JCBC M6 x 35mm		x 4
----	-------------------	---	-----



**4** Attached the Center Support (J) onto the Bottom Support Center (I) and Side Panel (H). Tighten the Bottom Support Center (I) and Side Panel (H) to the Front Panel (F) with CSK Screw.

2.	Csk M3.5 x 16mm		x 6
3.	JCBC M6 x 35mm		x 4

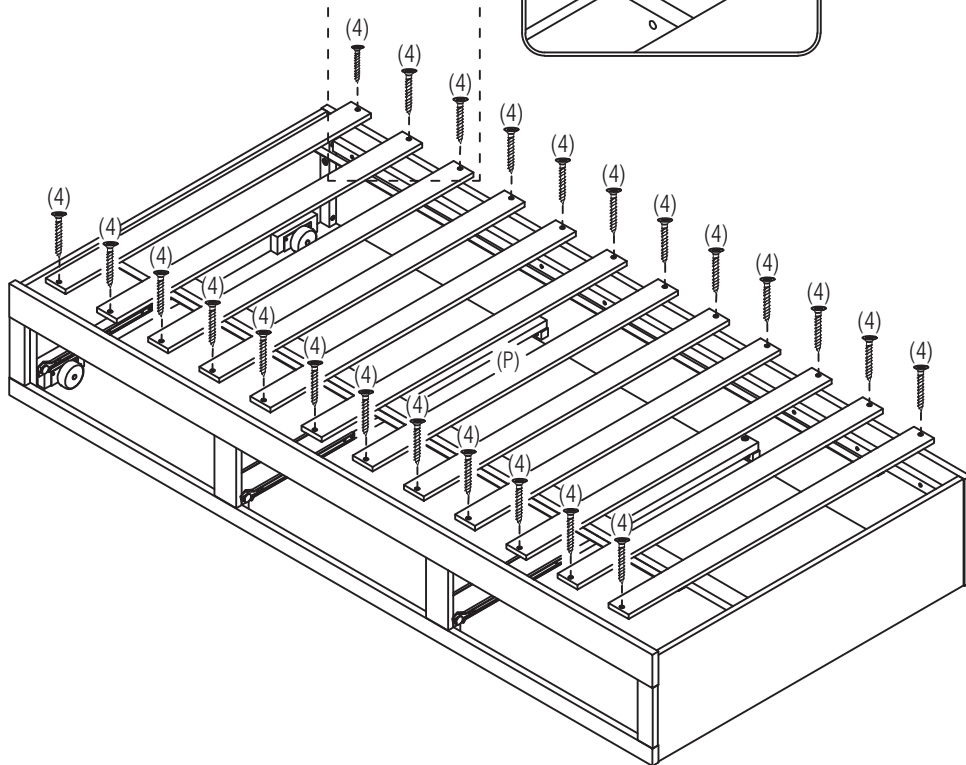
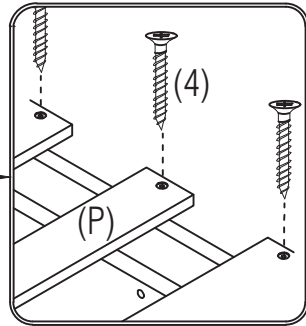


# Assembly Instructions


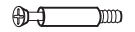
## Malvern Storage Bed

**5** Assemble the Slats (P).

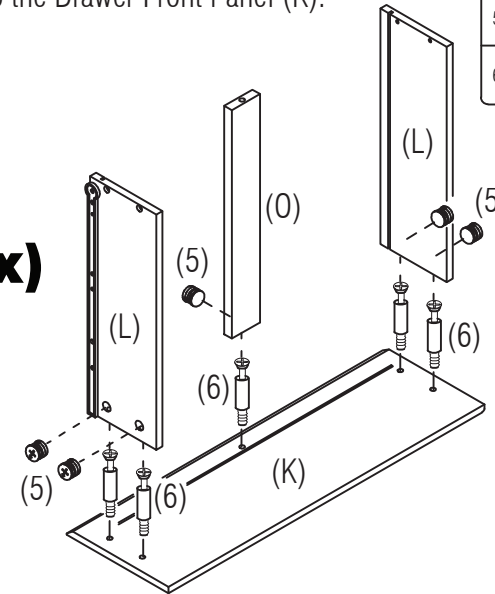
4.	CSK M4 x 25mm		x 24
----	------------------	---	------



**6** Attached the Drawer Side Panel (L) and Drawer Support (O) to the Drawer Front Panel (K).

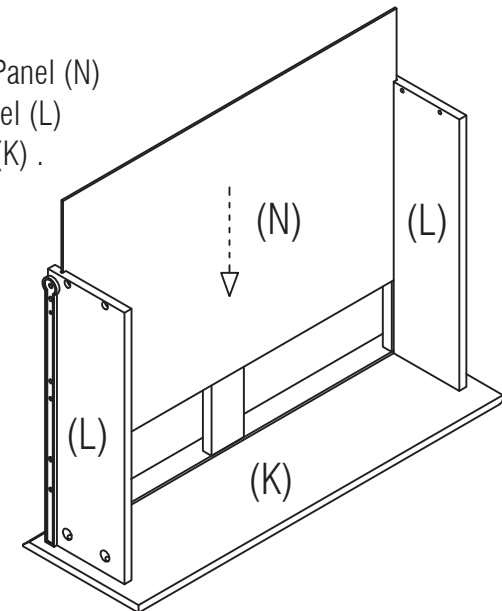
5.	Minifix Housing (Short)		x 15
6.	Connecting Bolt (Short)		x 15

**(3x)**



**7** Slot the Drawer Bottom Panel (N) into the Drawer Side Panel (L) and Drawer Front Panel (K).


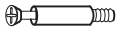
**(3x)**

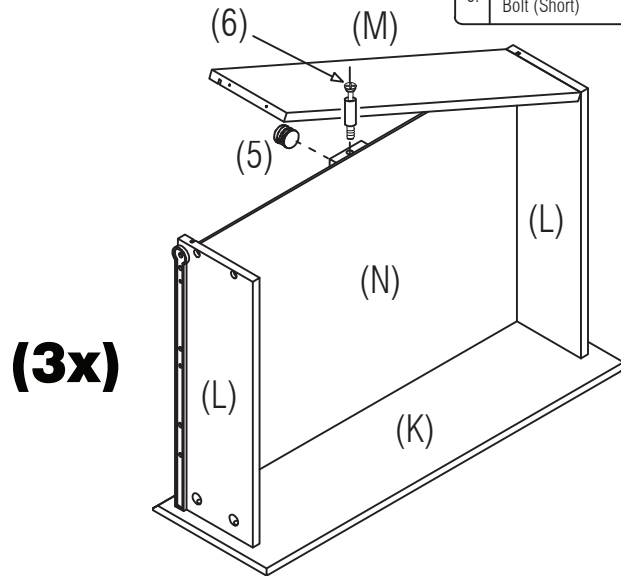




# Assembly Instructions Malvern Storage Bed

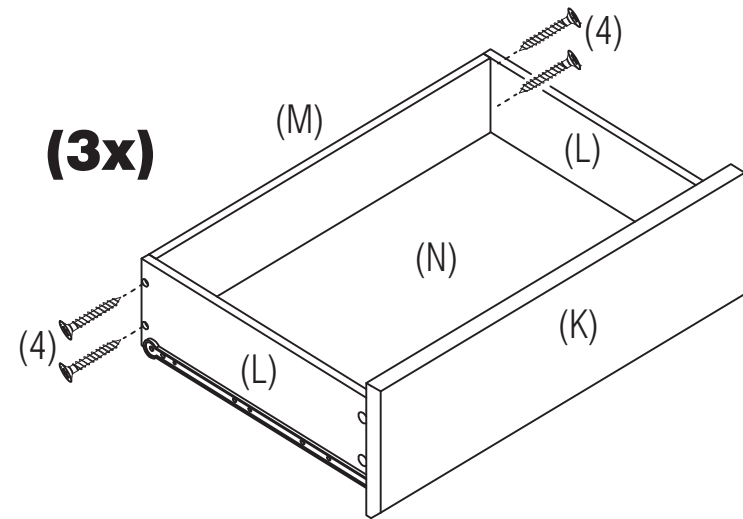
8 Attached the Drawer Back Panel (M).

5.	Minifix Housing (Short)		x 3
6.	Connecting Bolt (Short)		x 3

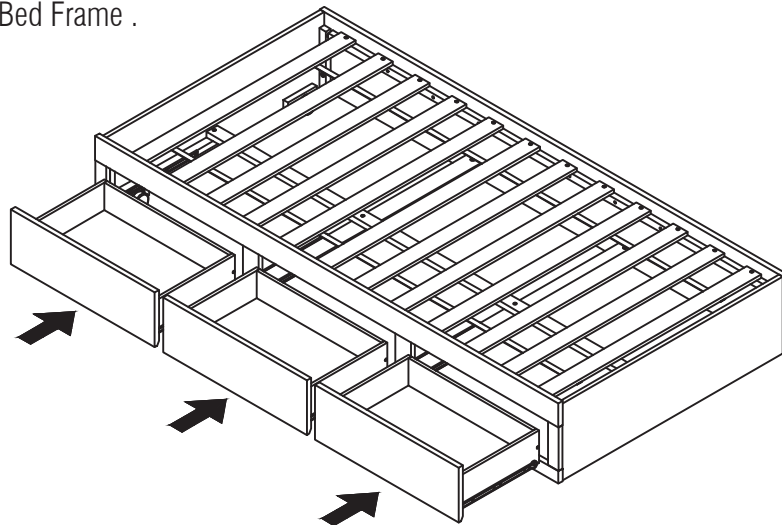


9 Attached the Drawer Back Panel (M).

4.	CSK M4 x 25mm		x 12
----	---------------	---	------



10 Insert the Drawer into the Bed Frame .



11 Slot the entire Trundle Bed under previously assembled Bed.

